

The Complete System Solution!

Flag Indicator
Shows Relay Status in Manual or Powered Condition.

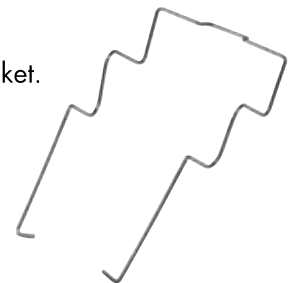


Optional Bi-Polar LED Status Lamp
Shows Coil "ON" or "OFF" Status.

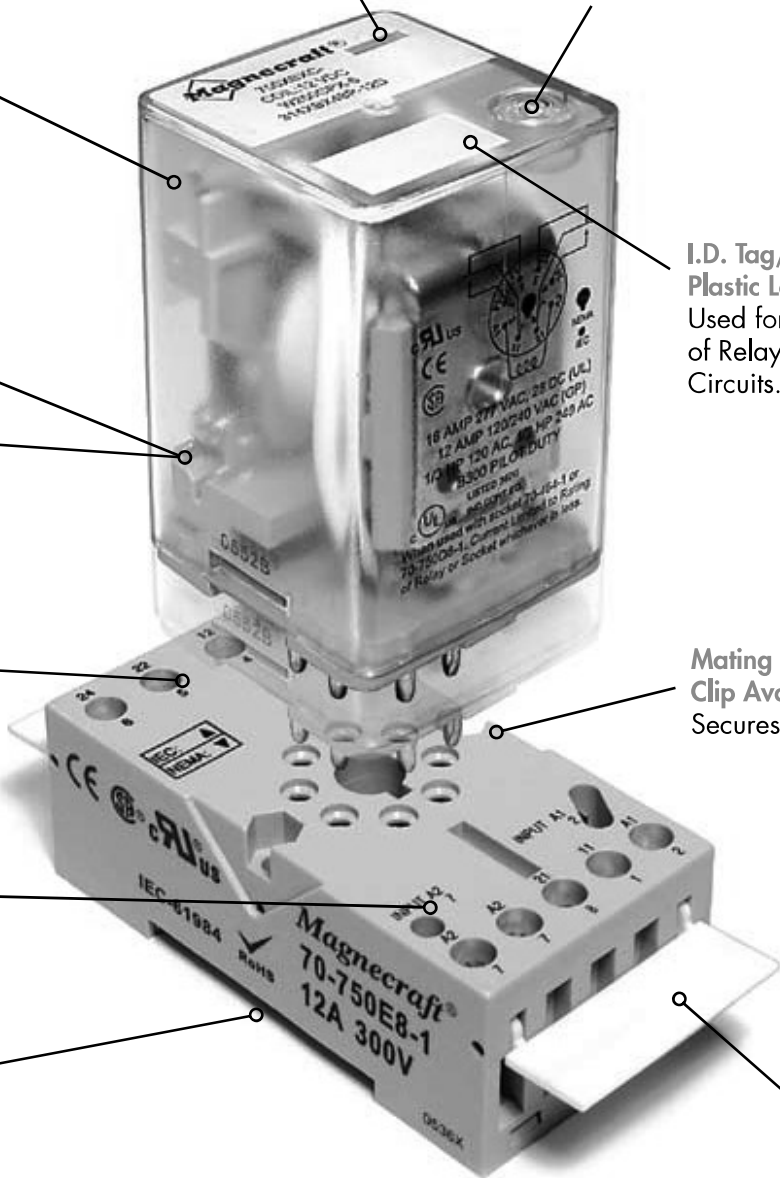


I.D. Tag/Write-On Plastic Label
Used for Identification of Relays in Multi-Relay Circuits.

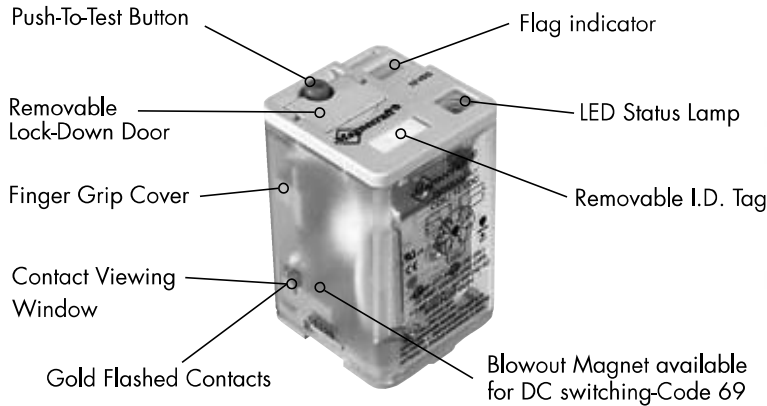
Mating Hold-Down Clip Available
Secures Relay to Socket.



I.D. Tag/Write-On Plastic Label
Used to match wire identification tags with socket connections.



750 Octal Relays, 8-Pin/SPDT, 16 Amp Rating (DC & AC)

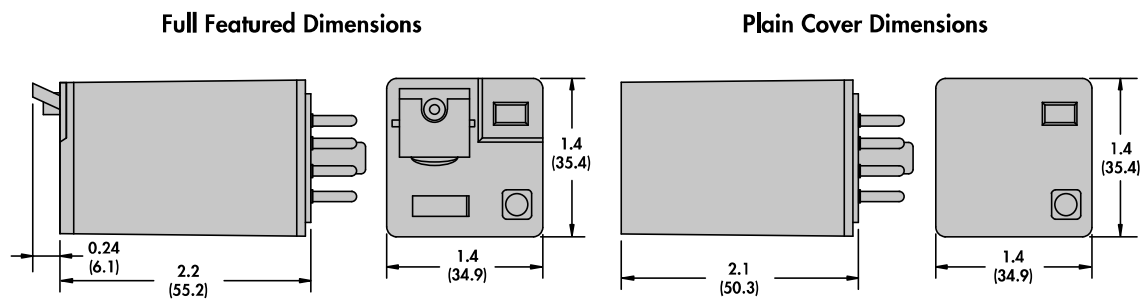
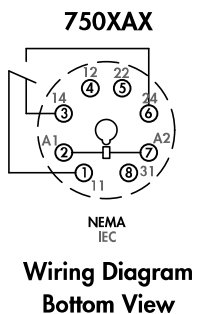


General Specifications

(UL 508)

750XAX

Contact Characteristics		Units		Standard
Number and type of Contacts				SPDT
Contact materials				Silver Alloy
Thermal (Carrying) Current			A	16
Maximum Switching Voltage			V	300
Switching Current @ Voltage		~	Resistive	16A @ 277V 50/60Hz
		~	Resistive	16A @ 120V 50/60Hz
		≡	Resistive	16A @ 28V
			HP	1/3 @ 120VAC
			HP	1/2 @ 240 VAC
Minimum Switching Requirement			Pilot Duty	B300
			mA	100 @ 5VDC (.5W)
Coil Characteristics				
Voltage Range		~	V	6...240
		≡	V	6...125
Operating Range		~		85% to 110%
		≡		80% to 110%
Average consumption		% of Nominal	~	VA
				W
Drop-out voltage threshold			~	
			≡	
				1.4
				15%
				10%
Performance Characteristics				
Electrical Life (UL508)		Operations @ Rated Current	(Resistive)	100,000
Mechanical Life		Unpowered		5,000,000
Operating time (response time)			ms	20
Dielectric strength		Between coil and contact	~	Vrms
		Between poles	~	Vrms
		Between contacts	~	Vrms
				1500
				1500
				1500
Environment				
Product certifications		Standard version		UL, CSA, CE
Ambient air temperature around the device		Storage		-40...+85
Vibration resistance		Operational		-40...+55
Shock resistance			g-n	3, 10 - 55 Hz
Degree of protection			g-n	10
Weight			grams	IP 40
				89





Full Featured



Plain Cover

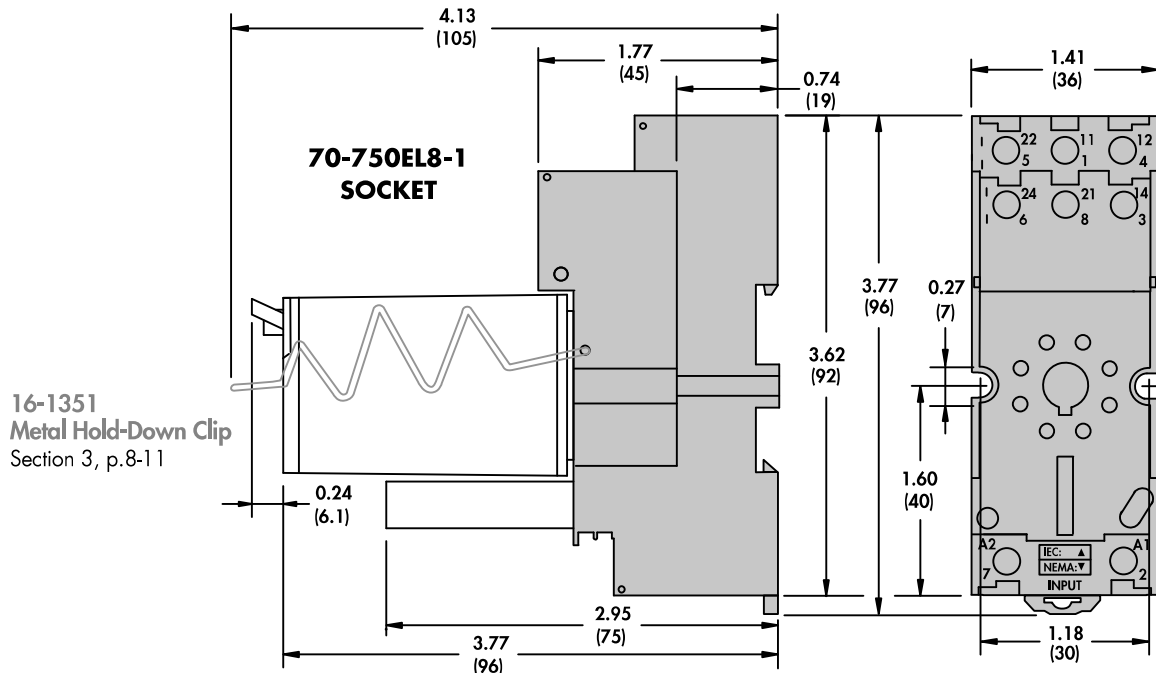
Standard Part Numbers

Nominal Voltage	Coil Resistance	SPDT Part Number (Full Feature) 16 Amp	SPDT Part Number (Plain Cover) 16 Amp
AC Operated			
6 VAC 50/60 Hz	4.2 Ohms	750AXM4L-6A	750XAXC-6A
12 VAC 50/60 Hz	18 Ohms	750AXM4L-12A	750XAXC-12A
24 VAC 50/60 Hz	72 Ohms	750AXM4L-24A	750XAXC-24A
120 VAC 50/60 Hz	1700 Ohms	750AXM4L-120A	750XAXC-120A
220-240 VAC 50/60 Hz	7200 Ohms	750AXM4L-220/240A	750XAXC-220/240A
DC Operated			
6 VDC	32 Ohms	750AXM4L-6D	750XAXC-6D
12 VDC	120 Ohms	750AXM4L-12D	750XAXC-12D
24 VDC	470 Ohms	750AXM4L-24D	750XAXC-24D
48 VDC	1800 Ohms	750AXM4L-48D	750XAXC-48D
110-125 VDC	10000 Ohms	750AXM4L-110/125D	750XAXC-110/125D

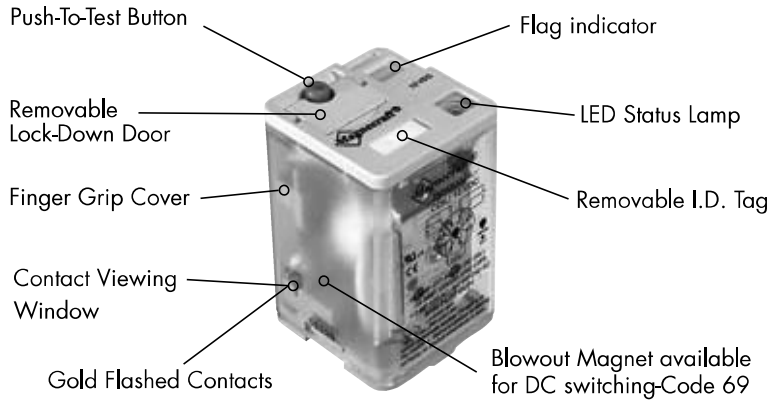
Custom Relay Part Number Builder

Series	Contact Configuration	Contact Code	Cover Options	Feature Options	Coil Voltage
750	XAX = SPDT	16 Amp Silver Alloy = No Code	Full Feature = No Code Plain Cover = C	Side Push Button = M Locking Push Button = M4 Bi-Polar LED = L	VAC = 6 - 240A VDC = 6 - 125D

For other mating sockets, see Section 2: 70-750E8-1, 70-750DL8-1, 70-464-1, 70-169-1



750 Octal Relays, 8-Pin/DPDT, 16 Amp Rating (DC & AC)



General Specifications

(UL 508)

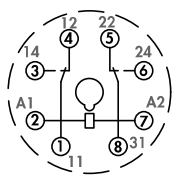
750XBX

Contact Characteristics		Units	Standard
Number and type of Contacts			DPDT
Contact materials			Silver Alloy
Thermal (Carrying) Current		A	16
Maximum Switching Voltage		V	300
Switching Current @ Voltage	~	Resistive	16A @ 277V 50/60Hz
	~	Resistive	16A @ 120V 50/60Hz
	⋮	Resistive	16A @ 28V
	~	HP	1/3 @ 120VAC
	~	HP	1/2 @ 240 VAC
Current rating with magnetic blowout - Code 69	⋮	Pilot Duty	B300
	⋮	A	3 @ 150VDC
Minimum Switching Requirement		mA	100 @ 5VDC (.5W)
Coil Characteristics			
Voltage Range	~	V	6...240
	⋮	V	6...125
Operating Range	% of Nominal	~	85% to 110%
		⋮	80% to 110%
Average consumption	~	VA	3
	⋮	W	1.4
Drop-out voltage threshold	~		15%
	⋮		10%
Performance Characteristics			
Electrical Life (UL508)	Operations @ Rated Current	(Resistive)	100,000
Mechanical Life	Unpowered		5,000,000
Operating time (response time)		ms	20
Dielectric strength	Between coil and contact	~	Vrms 1500
	Between poles	~	Vrms 1500
	Between contacts	~	Vrms 1500
Environment			
Product certifications	Standard version		UL, CSA, CE
Ambient air temperature around the device	Storage	°C	-40...+85
	Operation	°C	-40...+55
Vibration resistance	Operational	g-n	3, 10 - 55 Hz
Shock resistance		g-n	10
Degree of protection			IP 40
Weight		grams	89

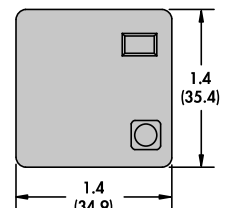
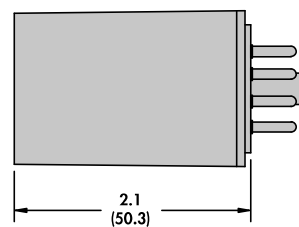
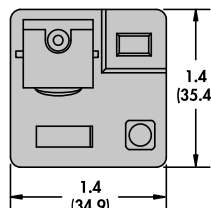
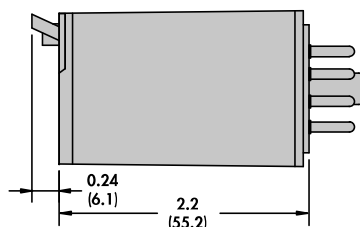
750XBX

Full Featured Dimensions

Plain Cover Dimensions



Wiring Diagram Bottom View





Full Featured



Plain Cover

Standard Part Numbers

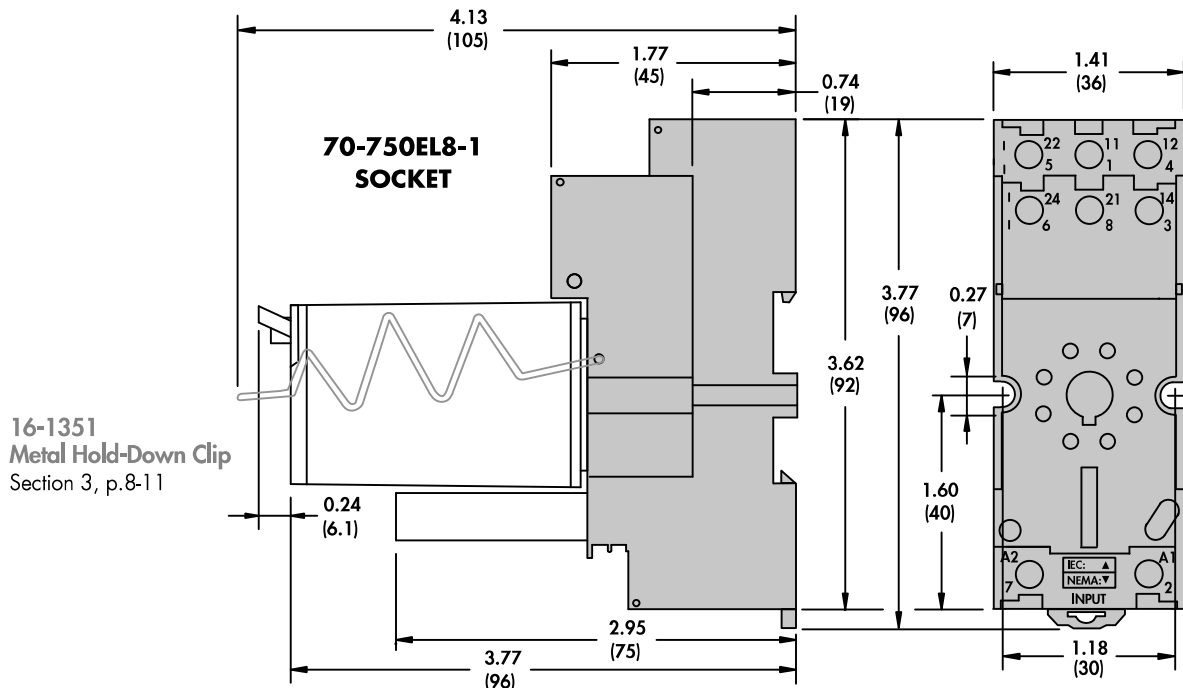
BOLD-FACED PART NUMBERS ARE NORMALLY STOCKED

Nominal Voltage	Coil Resistance	DPDT Part Number (Full Feature) 16 Amp	DPDT Part Number (Plain Cover) 16 Amp
AC Operated			
6 VAC 50/60 Hz	4.2 Ohms	750XBM4L-6A	750XBC-6A
12 VAC 50/60 Hz	18 Ohms	750XBM4L-12A	750XBC-12A
24 VAC 50/60 Hz	72 Ohms	750XBM4L-24A	750XBC-24A
120 VAC 50/60 Hz	1700 Ohms	750XBM4L-120A	750XBC-120A
220-240 VAC 50/60 Hz	7200 Ohms	750XBM4L-220/240A	750XBC-220/240A
DC Operated			
6 VDC	32 Ohms	750XBM4L-6D	750XBC-6D
12 VDC	120 Ohms	750XBM4L-12D	750XBC-12D
24 VDC	470 Ohms	750XBM4L-24D	750XBC-24D
48 VDC	1800 Ohms	750XBM4L-48D	750XBC-48D
110-125 VDC	10000 Ohms	750XBM4L-110/125D	750XBC-110/125D

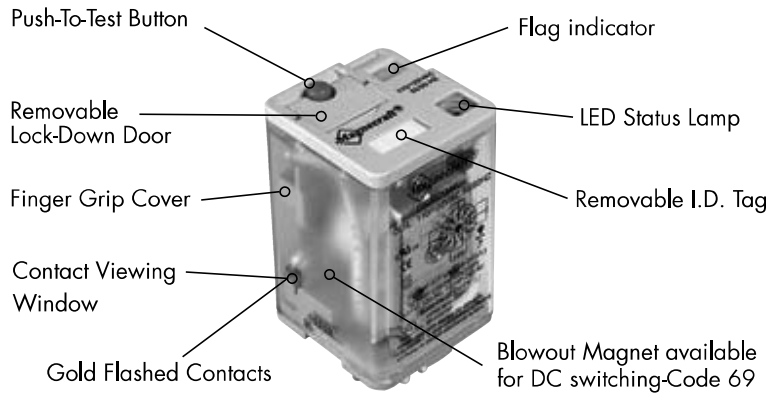
Custom Relay Part Number Builder

Series	Contact Conf.	DC Switching Option	Contact Code	Cover Options	Feature Options	Coil Voltage
750	XBX	Magnetic Blowout = 69	16 Amp Silver Alloy = No Code	Full Feature = No Code Plain Cover = C	ML- Side Push Button = M Locking Push Button = M4 Bi-Polar LED = L	240A VAC = 6 - 240A VDC = 6 - 250D

For other mating sockets, see Section 2: 70-750E8-1, 70-750DL8-1, 70-464-1, 70-169-1



750 Octal Relays, 11-Pin/3PDT, 16 Amp Rating (DC & AC)

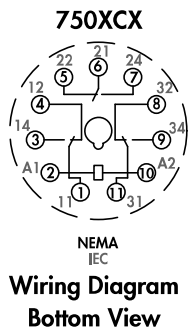


General Specifications

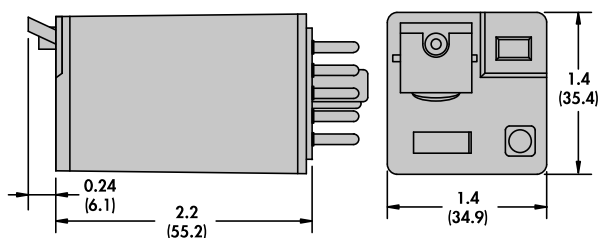
(UL 508)

750XCX

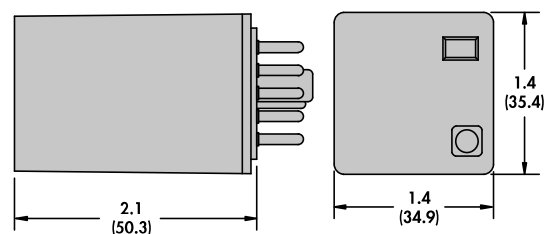
Contact Characteristics		Units	Standard
Number and type of Contacts			3PDT
Contact materials			Silver Alloy
Thermal (Carrying) Current		A	16
Maximum Switching Voltage		V	300
Switching Current @ Voltage	~	Resistive	16A @ 277V 50/60Hz
	~	Resistive	16A @ 120V 50/60Hz
	~	Resistive	16A @ 28V
	~	HP	1/3 @ 120VAC
	~	HP	1/2 @ 240 VAC
	~	Pilot Duty	B300
Minimum Switching Requirement		mA	100 @ 5VDC (.5W)
Coil Characteristics			
Voltage Range	~	V	6...240
	~	V	6...125
Operating Range	% of Nominal	~	85% to 110%
		~	80% to 110%
Average consumption	~	VA	3
	~	W	1.4
Drop-out voltage threshold	~	~	15%
	~	~	10%
Performance Characteristics			
Electrical Life (UL508)	Operations @ Rated Current	(Resistive)	100,000
Mechanical Life	Unpowered		5,000,000
Operating time (response time)		ms	20
Dielectric strength	Between coil and contact	~	Vrms 1500
	Between poles	~	Vrms 1500
	Between contacts	~	Vrms 1500
Environment			
Product certifications	Standard version		UL, CSA, CE
Ambient air temperature around the device	Storage	°C	-40...+85
	Operation	°C	-40...+55
Vibration resistance	Operational	g-n	3, 10 - 55 Hz
Shock resistance		g-n	10
Degree of protection			IP 40
Weight		grams	89



Full Featured Dimensions

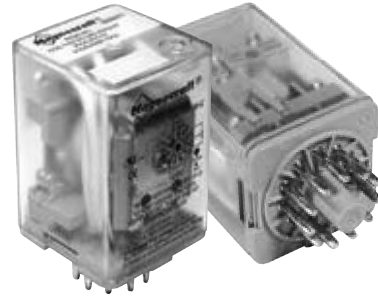


Plain Cover Dimensions





Full Featured



Plain Cover

Standard Part Numbers

BOLD-FACED PART NUMBERS ARE NORMALLY STOCKED

Nominal Voltage	Coil Resistance	3PDT Part Number (Full Feature) 16 Amp	3PDT Part Number (Plain Cover) 16 Amp
AC Operated			
6 VAC 50/60 Hz	4.2 Ohms	750XCM4L-6A	750XCXC-6A
12 VAC 50/60 Hz	18 Ohms	750XCM4L-12A	750XCXC-12A
24 VAC 50/60 Hz	72 Ohms	750XCM4L-24A	750XCXC-24A
120 VAC 50/60 Hz	1700 Ohms	750XCM4L-120A	750XCXC-120A
220-240 VAC 50/60 Hz	7200 Ohms	750XCM4L-220/240A	750XCXC-220/240A
DC Operated			
6 VDC	32 Ohms	750XCM4L-6D	750XCXC-6D
12 VDC	120 Ohms	750XCM4L-12D	750XCXC-12D
24 VDC	470 Ohms	750XCM4L-24D	750XCXC-24D
48 VDC	1800 Ohms	750XCM4L-48D	750XCXC-48D
110-125 VDC	10000 Ohms	750XCM4L-110/125D	750XCXC-110/125D

Custom Relay Part Number Builder

750	XCX		C	ML-	240A
Series	Contact Configuration	Contact Code	Cover Options	Feature Options	Coil Voltage
750	XCX = 3PDT	16 Amp Silver Alloy = No Code	Full Feature = No Code Plain Cover = C	Side Push Button = M Locking Push Button = M4 Bi-Polar LED = L	VAC = 6 - 240A VDC = 6 - 125D

For other mating sockets, see Section 2: 70-750E11-1, 70-750DL11-1, 70-465-1, 70-170-1

16-1351
Metal Hold-Down Clip
Section 3, p.8-11

